

COMPACT TRACK LOADER



Specifications

Operating Weight:	12100 lbs (5488 kg)
Tipping Load:	8600 lbs (3901 kg)
Ground Pressure:	4.25 psi (29 kPa)
Gross Engine Power:	111 hp (82.7 kW)

Features

- ▶ Interim Tier 4 Perkins engine with 332 ft-lbs of peak torque
- ▶ Hydraulic reversing fan for optimum cooling and reduced engine HP draw
- ▶ Improved tipping load of 8600 lbs (3901 kg)
- ▶ Pilot-operated joystick controls
- ▶ Selectable ISO or "H" control pattern
- ▶ Adjustable loader speed and sensitivity
- ▶ Advanced undercarriage includes multi-level suspension for exceptional traction and operator comfort
- ▶ Two-speed hydrostatic drive system offers fast travel speed and high torque work speed.

WORKS FOR YOU.™

SPECIFICATIONS

OPERATING SPECIFICATIONS

NOTE: All specs are based upon the unit equipped with an All Weather Cab

Operating weight	12100 lbs (5488 kg)
Shipping weight	11000 lbs (4990 kg)
Ground pressure @ operating weight	4.25 psi (29 kPa)
Tipping load	8600 lbs (3901 kg)
Operating capacity 50% tipping load	4300 lbs (1950 kg)
Operating capacity 35% tipping load	3010 lbs (1365 kg)
Travel speed low range	0-6 mph (9.7 kph)
Travel speed high range	0-10 mph (16 kph)
Loader breakout force	6750 lbs (3062 kg)
Bucket breakout force	5750 lbs (2608 kg)

ENGINE

Type	Diesel, liquid cooled, 4 cylinder, turbo, after cooled
Model	Perkins 854E-E34TA
Displacement	207 in ³ (3.4 L)
Gross power rating @ 2200 rpm	111 hp (82.7 kW)
Torque peak	332 lb-ft (450 Nm)
Cooling system	Hydraulic reversing fan and coolant/anti-freeze filled radiator
Engine block heater	Standard AC plug-in type
Intake air cleaner	Dual stage
Emission controls	Meets all U.S. interim tier 4 Standards

UNDERCARRIAGE

Track Type: General purpose track constructed of rubber compound with embedded co-polymer cords and all-purpose treads. Three rows of track drive lugs molded in.

Track width	20 in (508 mm)
Length of track on ground	71 in (1803 mm)
Ground contact area (equipped with 20 inch tracks)	2840 in ² (1.83 m ²)
Drive system	Two-speed radial piston motors connected to planetary reduction final drives.
Track drive sprocket	Elevated with low friction replaceable sprocket rollers.
Undercarriage suspension:	Two independent torsion axles suspend each track frame plus four independent wheel carriages (4 wheels each) per track.
Roller Wheels:	24 high-density polyurethane and rubber wheels per track. Wheel bearings protected by metal-faced seals.
Roller wheel diameter	Front & rear wheels - 15 in (381 mm) Middle wheels - 10 in (254 mm)

SERVICE CAPACITIES

Fuel tank	30 gal (114 L)
Hydraulic tank	22 gal (86 L)
Engine coolant/antifreeze	4.3 gal (12 L)
Engine oil including filter	9 quarts (8.5 L)



AUXILIARY HYDRAULIC SYSTEM

Pump capacity: Low - Variable from 0-20 gpm (76 lpm). High - 45 gpm (170 lpm) adjustable from 30-45 gpm (114-170 lpm)

System Pressure, Max.

Low Flow	3,300 psi (22 753 kPa)
High Flow	3,800 psi (25 166 kPa)

Controls: Intermittent via joystick button or continuous via console switch, mode selectable via dash-mounted switch.

Couplers: Push-to-connect quick couplers mounted on loader arms. Pressure relief valve mounted to coupler block.

Cooling system: High efficiency side-by-side radiator and oil cooler

ELECTRICAL SYSTEM

Nominal charge	12 V
Battery	950 CCA
Charging system	120 amp alternator
Outlets	1-12 V port inside operator station
Wiring	Pre-wired for all factory-available accessories

OPERATOR STATION

Cab: Sealed and pressurized cab.

Seat: Adjustable suspension contour vinyl seat with built-in operator presence switch, lap bar and 2-inch (51 mm) wide seat belt.

Loader control: Right-hand electric over hydraulic controls loader lift/lower and tilt, plus intermittent control of auxiliary hydraulic.

Drive control: Left-hand pilot electric over hydraulic controls machine speed and direction. Selectable control pattern from ISO to H.

Engine speed	Foot pedal	
Indicators/gauges	Fuel Level	Oil Temp. Warning Light
	Tachometer	Engine Oil Pressure Gauge
	Hour Meter	Engine Oil Pressure Warning
	Coolant Temp. Gauge	Battery Low Voltage Indicator
	Oil Temp. Gauge	Two-Speed Indicator

ROPS Meets SAE J1040 APR88, ISO 3471:2008, ISO 8082-1:2009

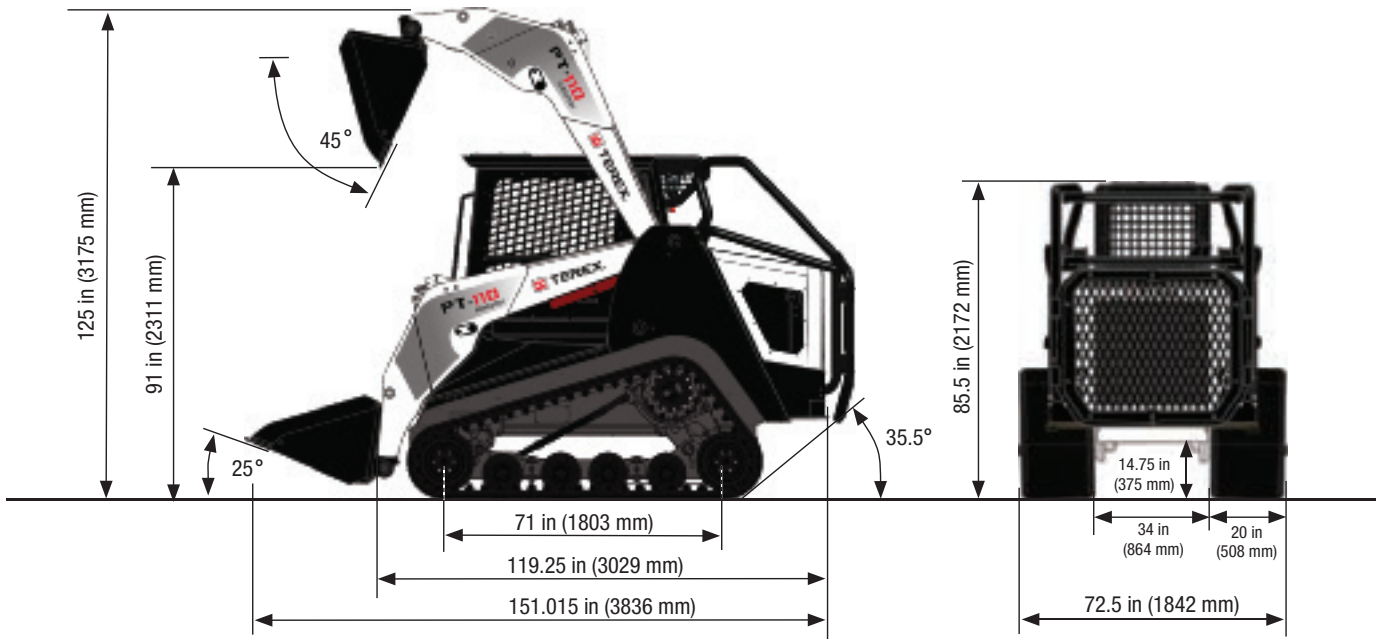
FOPS Meets ISO 3449:2005 Level 2, ISO 8083: 2006, OPS SAE J1084:2002, ISO 8084:2003, BC WCB G603:1990, G604:1990

Illumination 2 - Fixed forward-facing halogen lights
2 - Rear-facing halogen lights
1 - Interior light

Convenience 12 V power port



DIMENSIONS: GENERAL PURPOSE BUCKET



OPTIONAL ATTACHMENTS

Auger & bits	Bucket, multi-purpose	Pallet forks	Trencher
Backhoe	Brush cutter, rotary	Power box rake	Vibratory roller
Broom, rotary	Dozer blade	Snow blade	
Bucket, general purpose	Land Leveler	Snow blower	
Bucket, light material	Mulching head	Stump grinder	

www.terexconstruction.com

Effective Date: November 2012. Product specifications and prices are subject to change without notice or obligation. The photographs and/or drawings in this document are for illustrative purposes only. Refer to the appropriate Operator's Manual for instructions on the proper use of this equipment. Failure to follow the appropriate Operator's Manual when using our equipment or to otherwise act irresponsibly may result in serious injury or death. The only warranty applicable to our equipment is the standard written warranty applicable to the particular product and sale and Terex makes no other warranty, express or implied. Products and services listed may be trademarks, service marks, or trade names of Terex Corporation and/or its subsidiaries in the USA and other countries. All rights are reserved. Terex is a registered trademark of Terex Corporation in the USA and many other countries. © 2012 Terex Corporation.

Terex Construction 8800 Rostin Road, Southaven, MS 38671 USA
Tel +1 (888) 90-TEREX www.terex.com



WORKS FOR YOU.™