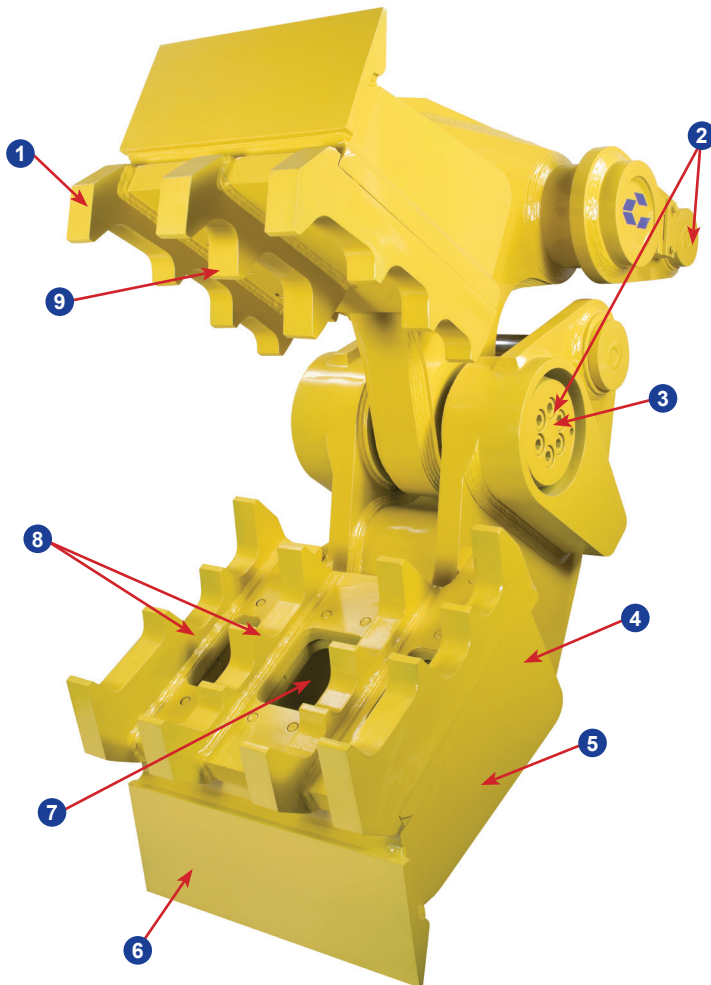


Mechanical Pulverizer

(GMP) *POWER Series*

FEATURES

- 1 Teeth extend to protect parent steel from wear and abrasion
- 2 Common pivot group and pinning points accommodate the full line of Power Series Linkage tools with one stiff arm - the mounting pad remains in place
- 3 Shrouded heavy-duty pivot design provides structural strength and long-term durability
- 4 The GMP stands upright for easy attachment changes and convenient storage and transport
- 5 Built with Weldom steel for the best combination of structural strength and wear durability
- 6 Extended chin blade aids in positioning concrete for processing
- 7 Relief area allows pulverized material to pass through lower jaw
- 8 Bolt-on tooth beds feature a fully replaceable crushing surface, eliminating the need for welding
- 9 Offset teeth rows maximize the ability to downsize material
- 10 Stiff arm and mounting pad included



APPLICATIONS

- Scrap Processing
- Demolition
- C&D Processing
- Concrete Recycling

Model	Weight* (lbs.)	Jaw Opening** (ins.)	Jaw Depth (ins.)	Excavator Weight (lbs.)
GMP 50	5,600	30	28	40,000 - 60,000
GMP 70	6,206	34	32	60,000 - 80,000
GMP 90	7,172	40	35	80,000 - 110,000
GMP 140	10,600	52	44	110,000 - 150,000

*Weight includes mounting bracket and stiff arm.

**Jaw opening varies slightly depending on excavator mounting location.

Genesis linkage attachments are not compatible with quick couplers. Contact Genesis for more information.

All Genesis Mechanical Pulverizers are covered by a 12-month, 1,500-hour (whichever occurs first) warranty.

Genesis reserves the right to continually make product improvements designed to positively enhance performance.